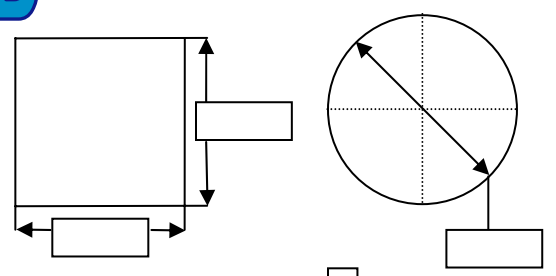


**A** PROJECT : \_\_\_\_\_  
 ITEM #: \_\_\_\_\_

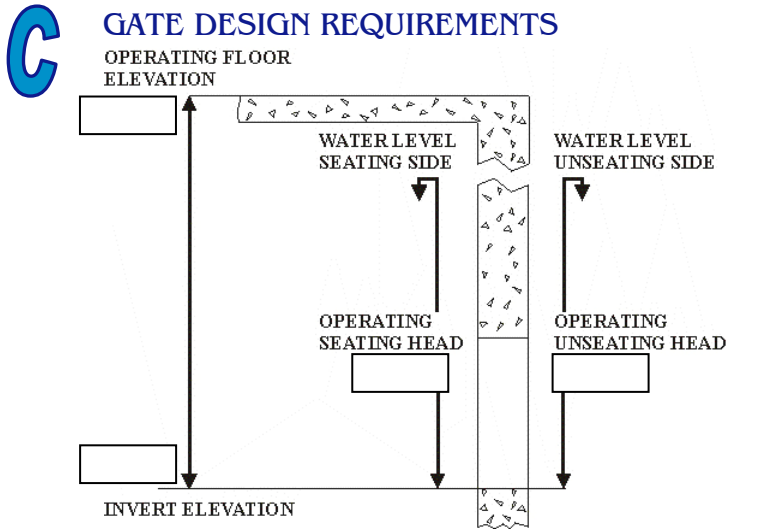
QTY OF GATES REQUIRED : \_\_\_\_\_

MATERIAL :  304 L SS  
 316 L SS  
 ALUMINUM  
 OTHER: \_\_\_\_\_

**B** GATE SIZE:  
 WIDTH x HEIGHT or DIAMETER



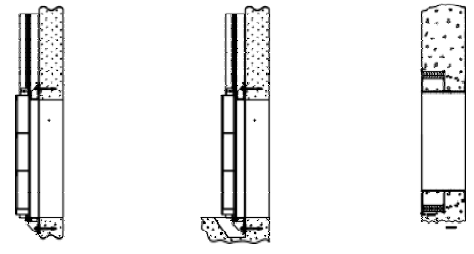
ROUND OPENING  
 RCP  
 DIP  
 PVC



**D** MISCELLANEOUS

GATE MOUNTED TO:  CONCRETE WALL  
 WALL THIMBLE  
 WALL PIPE  
 OTHER: \_\_\_\_\_

STRUCTURE:  EXISTING  
 NEW



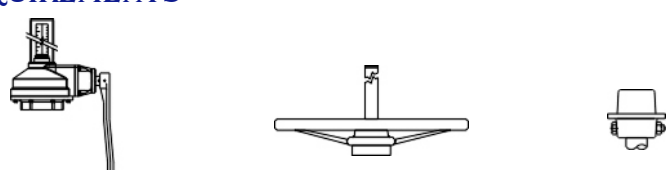
STANDARD BOTTOM  FLUSH BOTTOM  THIMBLE DEPTH : \_\_\_\_\_  
 TYPE : \_\_\_\_\_

**E** REMARKS

**F** LEAKAGE

AWWA  
 OTHER: \_\_\_\_\_

**G** HOIST REQUIREMENTS



MANUAL →  HAND CRANK  HAND WHEEL  SQUARE NUT

ELECTRIC → VOLTS: \_\_\_\_\_ PHASE: \_\_\_\_\_ CYCLES: \_\_\_\_\_

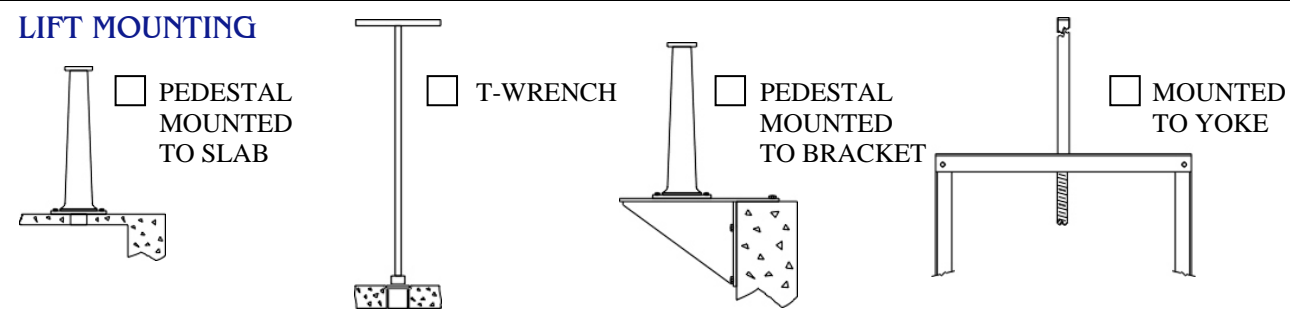
CYLINDER →  OIL  WATER  AIR OPERATING PRESSURE (PSI) \_\_\_\_\_

**STEM COVER**  
 CLEAR POLYCARBONATE  
 GALVANIZED STEEL

**POSITION INDICATOR**  
 MYLAR STRIP  
 COUNTER (for non-rising only)

**STEM CONFIGURATION**  
 RISING STEM  
 NON-RISING STEM  
 DOWNWARD OPENING

**H** LIFT MOUNTING



PEDESTAL MOUNTED TO SLAB  T-WRENCH  PEDESTAL MOUNTED TO BRACKET  MOUNTED TO YOKE