

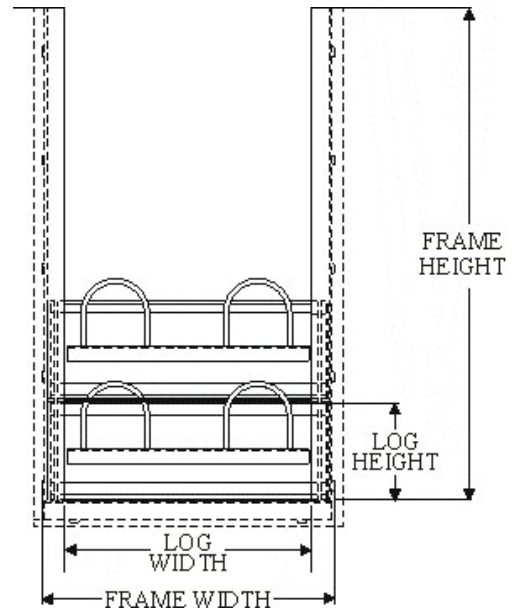
A PROJECT : _____
ITEM #: _____

QTY OF **FRAMES** REQ'D → W X H

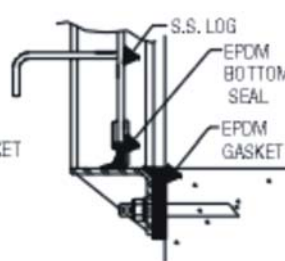
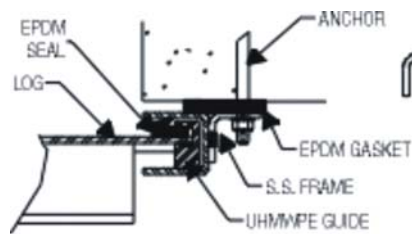
MATERIAL : 304 L SS
 316 L SS
 ALUMINUM
 OTHER: _____

QTY OF **LOGS** REQ'D → W X H

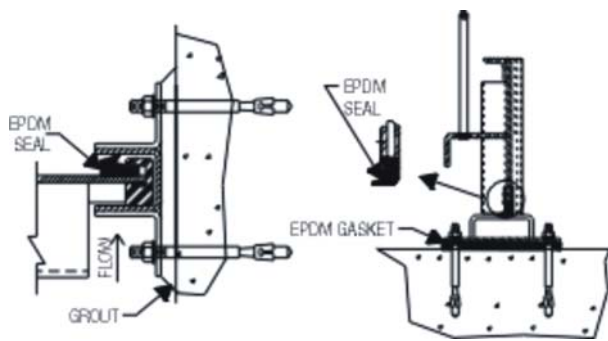
MATERIAL : 304 L SS
 316 L SS
 ALUMINUM
 OTHER: _____



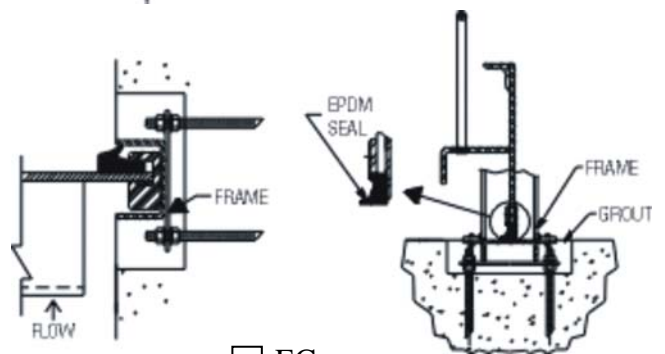
B MOUNTINGS



CW

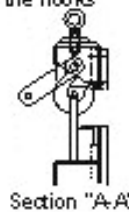
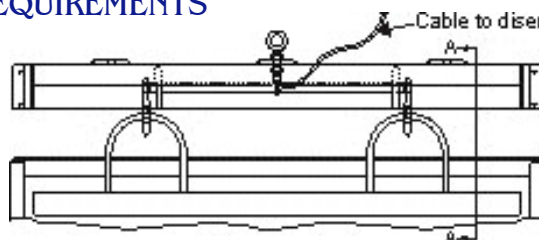


FE



EC

C HOIST REQUIREMENTS



LIFTING DEVICE
REQUIRED

D REMARKS